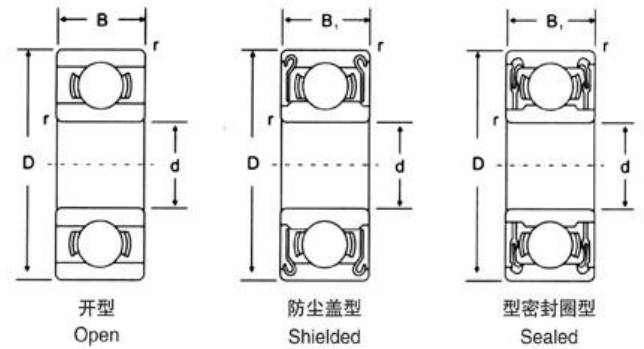
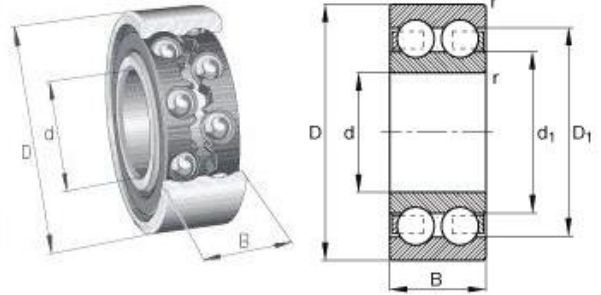
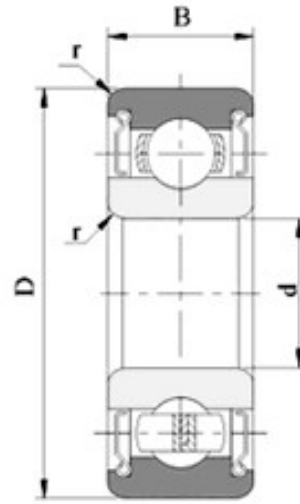


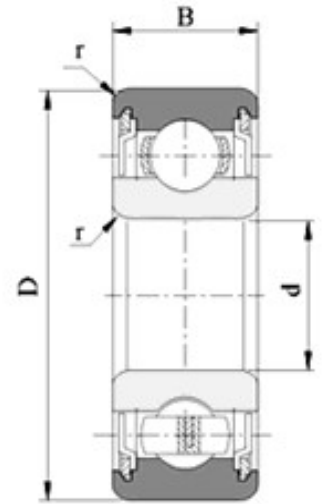
Bearing Type	d	D	B/B1	r(Min)	Ball Dia.	Qty.
1200	10	30	9	0.5	4.762	18
1201	12	32	10	0.5	4.762	20
1202	15	35	11	0.5	5.556	20
1203	17	40	12	0.5	5.556	24
1204	20	47	14	0.6	6.35	24
1205	25	52	15	0.6	/	/
1206	30	62	16	1	/	/
1207	35	72	17	1	/	/
1208	40	80	18	1	/	/
1300	10	35	11	0.5	5.556	18
1301	12	37	12	0.5	6.35	18
1302	15	42	13	0.5	6.35	20
1303	17	47	14	0.5	7.144	22
1304	20	52	15	0.6	7.144	24
1305	25	62	17	0.6	/	/
1306	30	72	19	1	/	/
1307	35	80	21	1	/	/
1308	40	90	23	1	/	/
2200	10	30	14	0.5	5.556	18
2201	12	32	14	0.5	5.556	20
2202	15	35	14	0.5	5.556	22
2203	17	40	16	0.5	6.35	22
2204	20	47	18	0.6	7.144	24
2205	25	52	18	0.6	/	/
2206	30	62	20	1	/	/
2207	35	72	23	1	/	/
2208	40	80	23	1	/	/
605	5	14	5	0.2	2.381	7
606	6	17	6	0.3	2.381	8
607	7	19	6	0.3	3.969	6
608	8	22	7	0.4	3.969	7
609	9	24	7	0.4	3.969	7
6000	10	26	8	0.4	4.763	7
6001	12	28	8	0.4	4.763	8
16001	12	28	7	0.4	4.763	8
6002	15	32	9	0.4	4.763	9
16002	15	32	8	0.4	4.763	9
6003	17	35	10	0.4	4.763	10
16003	17	35	8	0.4	4.763	10
6004	20	42	12	0.6	6.35	9
16004	20	42	8	0.6	4.763	11
6005	25	47	12	1	6.35	10
6006	30	55	13	1	7.144	11
6007	35	62	14	1	7.938	11
6008	40	68	15	1	7.938	12
6009	45	75	16	1	8.731	12
6010	50	80	16	1	8.731	13



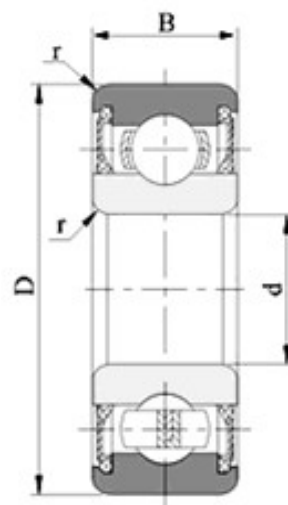
6011	55	90	18	1.1	11	12
6012	60	95	18	1.1	11.1125	12
6013	65	100	18	1.1	11.1125	13
6014	70	110	20	1.1	12.303	13
6015	75	115	20	1.1	12.303	14
6016	80	125	22	1.1	13.494	14
625	5	16	5	0.3	2.381	8
626	6	19	6	0.3	3.969	6
627	7	22	7	0.3	3.969	7
628	8	24	8	0.3	3.969	7
629	9	26	8	0.3	4.763	7
6200	10	30	9	0.6	4.763	8
6201	12	32	10	0.6	5.953	7
6202	15	35	11	0.6	5.953	8
6203	17	40	12	0.6	6.747	8
6204	20	47	14	1	7.938	8
6205	25	52	15	1	7.938	9
6206	30	62	16	1	9.525	9
6207	35	72	17	1.1	11.1125	9
6208	40	80	18	1.1	12	9
6209	45	85	19	1.1	12	10
6210	50	90	20	1.1	12.7	10
6211	55	100	21	1.5	14.288	10
6212	60	110	22	1.5	15.081	10
6213	65	120	23	1.5	16.669	10
6214	70	125	24	1.5	16.669	11
6215	75	130	25	1.5	17.462	11
6216	80	140	26	2	18.256	11
635	5	19	6	0.3	3.5	6
636	6	22	7	0.3	3.969	7
637	7	26	9	0.5	4.762	7
638	8	28	9	0.5	4.762	7
639	9	30	10	0.6	4.762	7
6300	10	35	11	0.6	7.144	6
6301	12	37	12	1	7.938	6
6302	15	42	13	1	7.938	7
6303	17	47	14	1	8.731	7
6304	20	52	15	1.1	9.525	7
6305	25	62	17	1.1	11.5	7
6306	30	72	19	1.1	12	8
6307	35	80	21	1.5	13.494	8
6308	40	90	23	1.5	15.081	8
6309	45	100	25	1.5	17.462	8
6310	50	110	27	2	19.05	8
6311	55	120	29	2	20.638	8
6312	60	130	31	2.1	22.225	8
6313	65	140	33	2.1	24	8
6314	70	150	35	2.1	25.4	8



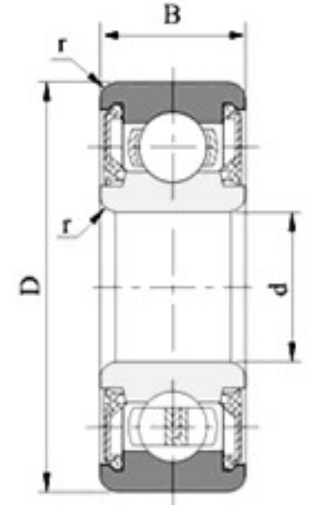
Shielded Type



Shielded Type

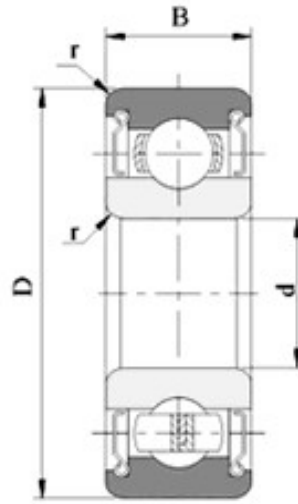


Sealed Type

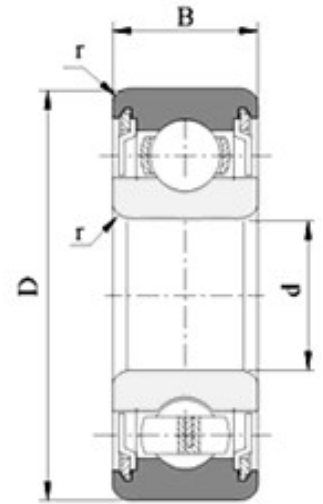


Sealed Type

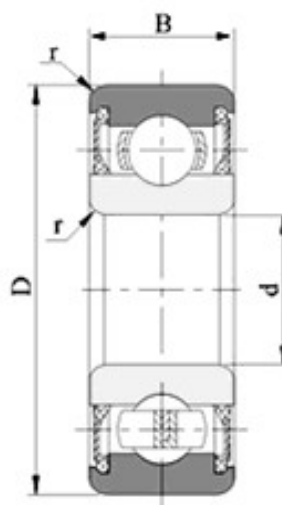
6315	75	160	37	2.1	26.988	8
6316	80	170	39	2.1	28.575	8
685	5	11	3	0.15	1.588	9
686	6	13	3.5	0.15	2	8
687	7	14	3.5	0.15	2	9
688	8	16	4	0.2	2.381	9
689	9	17	4	0.2	2.381	9
6800	10	19	5	0.3	2.381	10
6801	12	21	5	0.3	2.381	12
6802	15	24	5	0.3	2.381	14
6803	17	26	5	0.3	2.381	15
6804	20	32	7	0.3	3.175	14
6805	25	37	7	0.3	3.5	15
6806	30	42	7	0.3	3.175	19
6807	35	47	7	0.3	3.175	22
6808	40	52	7	0.3	3.175	24
6809	45	58	7	0.3	3.969	21
6810	50	65	7	0.3	3.969	24
6811	55	72	9	0.5	4.762	22
6812	60	78	10	0.5	5.556	21
6813	65	85	10	0.5	5.556	23
6814	70	90	10	0.5	5.556	24
6815	75	95	10	0.5	5.556	26
6816	80	100	10	0.5	5.556	27
695	5	13	4	0.2	2	8
696	6	15	5	0.2	2.381	8
697	7	17	5	0.3	3	7
698	8	19	6	0.3	3.5	7
699	9	20	6	0.3	3.175	8
6900	10	22	6	0.3	3.175	9
6901	12	24	7	0.3	3.175	10
6902	15	28	7	0.3	3.969	10
6903	17	30	9	0.3	3.969	11
6904	20	37	9	0.3	4.763	11
6905	25	42	9	0.3	4.763	12
6906	30	47	9	0.3	4.763	13
6907	35	55	10	0.6	5.953	14
6908	40	62	12	0.6	6.747	14
6909	45	68	12	0.6	6.747	15
6910	50	72	12	0.6	6.747	16
6911	55	80	13	0.8	7.144	17
6912	60	85	13	0.8	7.938	17
6913	65	90	13	0.8	7.144	19
6914	70	100	16	0.8	8.731	17
6915	75	105	16	0.8	8.731	18
6916	80	110	16	0.8	8.731	19
F685-2RS	5	12.5	3	0.15	1.588	6
F686-2RS	6	15	3.5	0.15	2.000	8



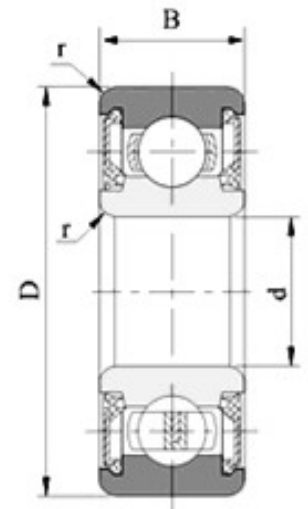
Shielded Type



Shielded Type

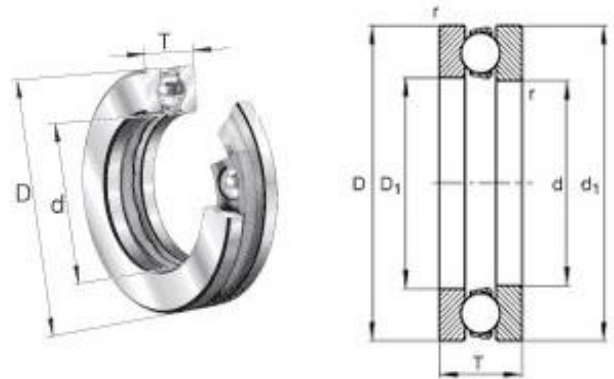
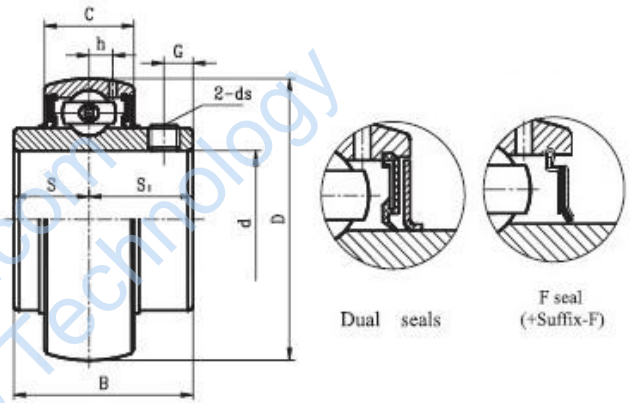


Sealed Type

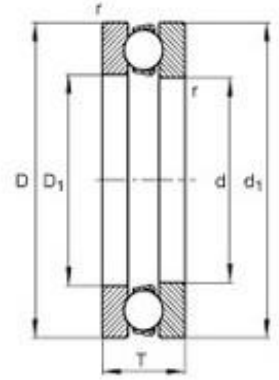


Sealed Type

F688-2RS	8	18	4	0.2	2.000	10
FR4	6.35	17.53	4.978	0.3	2.381	8
R1212-2RS	12.7	19.05	3.967	0.4	1.588	13
R4	6.35	15.875	4.978	0.3	2.381	8
R4A	6.35	19.05	5.556	0.3	3.969	6
R4A-2RS	6.35	19.05	7.144	0.3	3.969	6
R6	9.525	22.225	5.556	0.4	3.969	7
R8	12.7	28.575	6.35	0.4	4.763	8
R10	15.875	34.925	7.144	0.8	4.763	10
R12	19.05	41.275	7.938	0.8	6.350	9
R14	22.225	47.625	9.525	1	6.350	10
R16	25.4	50.8	9.525	1	6.747	10
UC201	12	47	31	0.6	5.953	7
UC202	15	47	31	0.6	5.953	8
UC203	17	47	31	0.6	6.747	8
UC204	20	47	31	1	7.938	8
UC205	25	52	34.1	1	7.938	9
UC206	30	62	38.1	1	9.525	9
UC207	35	72	42.9	1.1	11.113	9
UC208	40	80	49.2	1.1	12.000	9
UC209	45	85	49.2	1.1	12.000	10
UC210	50	90	51.6	1.1	12.700	10
UC211	55	100	55.6	1.5	14.288	10
UC212	60	110	65.1	1.5	15.081	10
UC213	65	120	65.1	1.5	16.669	10
UC214	70	125	74.6	1.5	16.669	11
UC215	75	130	77.8	1.5	17.462	11
UC216	80	140	82.6	2	18.256	11
51100	10	24	9	0.3	/	/
51101	12	26	9	0.3	/	/
51102	15	28	9	0.3	/	/
51103	17	30	9	0.3	/	/
51104	20	35	10	0.3	/	/
51105	25	42	11	0.6	/	/
51106	30	47	11	0.6	/	/
51107	35	52	12	0.6	/	/
51108	40	60	13	0.6	/	/
51109	45	65	14	0.6	/	/
51110	50	70	14	0.6	/	/
51200	10	26	11	0.6	/	/
51201	12	28	11	0.6	/	/
51202	15	32	12	0.6	/	/
51203	17	35	12	0.6	/	/
51204	20	40	14	0.6	/	/
51205	25	47	15	0.6	/	/
51206	30	52	16	0.6	/	/
51207	35	62	18	1	/	/
51208	40	68	19	1	/	/



51209	45	73	20	1	/	/
51210	50	78	22	1	/	/
51304	20	47	18	1	/	/
51305	25	52	18	1	/	/
51306	30	60	21	1	/	/
51307	35	68	24	1	/	/
51308	40	78	26	1	/	/
51309	45	85	28	1	/	/
51310	50	95	31	1.1	/	/
51405	25	60	24	1	/	/
51406	30	70	28	1	/	/
51407	35	80	32	1.1	/	/
51408	40	90	36	1.1	/	/
51409	45	100	39	1.1	/	/
51410	50	110	43	1.5	/	/



www.matervevo.com
Kunshan Matervevo Technology